

ALL POWER SUPPLY CANS ARE CREATED EQUAL, *RIGHT?*
NOT EVEN CLOSE!



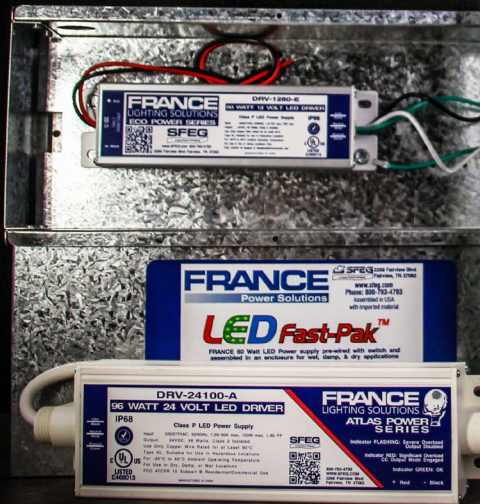
THE "OTHER" GUYS



**96 HOURS 5%
CONTINUOUS
SALT SPRAY TEST**



OURS



NEWLY REDESIGNED

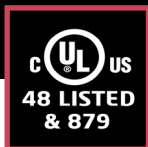
REMOVABLE PARTITION
FOR NO-PAIN INSTALL

MULTITUDE OF AVAILABLE
DRIVER CONFIGURATIONS

DESIGNED FOR VERTICAL &
HORIZONTAL INSTALLATIONS

TRUALIGN KNOCKOUTS FOR
DECREASED CONDUIT BENDS

UL48: HIGH & LOW VOLTAGE
SEPARATE FOR SERVICEABILITY



ASK YOUR DISTRIBUTOR OR OUR REPRESENTATIVE FOR MORE INFORMATION



FranceLEDProducts.com
2268 Fairview Blvd.
Fairview, TN 37062
sales@sfeg.com
800.793.4793

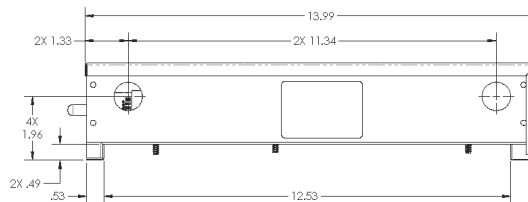
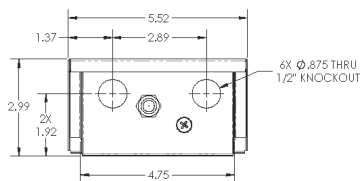
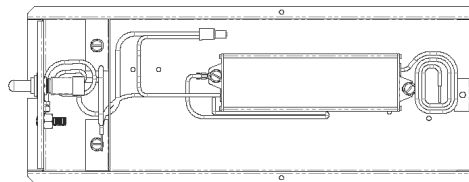
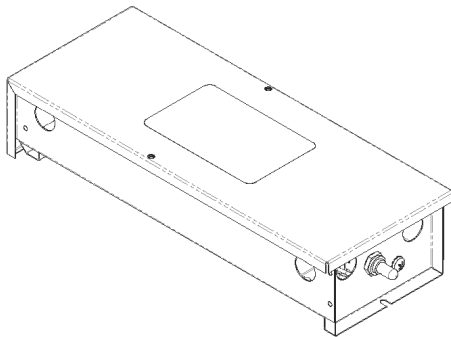
YOUR NATIONAL DISTRIBUTOR



Cre8tive Sign Solutions
www.Cre8tiveSignSolutions.com
sales@Cre8tiveSignSolutions.com
937.552.7001

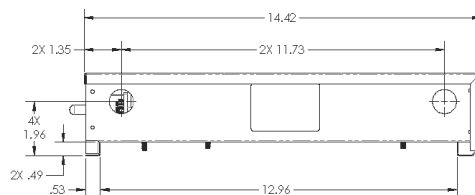
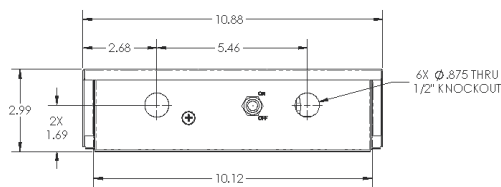
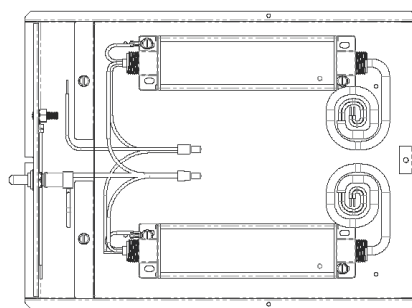
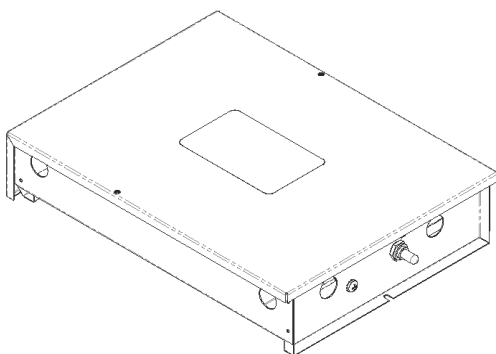
France TruPower Fast Paks have been redesigned to meet UL 48 and NEC 2017 Standards. Our Fast Paks aren't just recognized, but listed as a UL component and ready for install. France puts you back in control by allowing custom configurations to meet your power requirements. See compatibility chart below.

SINGLE TRUPOWER FAST PAK



FAST-PAK MODEL	PART NUMBER	CONFIGURATION
SFP-1230-E	39006-01	1} DRV-1230-E
SFP-2430-E	39006-02	1} DRV-2430-E
SFP-1260-E	39006-03	1} DRV-1260-E
SFP-1260-A	39006-05	1} DRV-1260-A
SFP-2460-E	39006-04	1} DRV-2460-E
SFP-2460-A	39006-06	1} DRV-2460-A
SFP-12120-E	39006-08	1} DRV-12120-E
SFP-24100-E	39006-07	1} DRV-24100-E

DOUBLE TRUPOWER FAST PAK



FAST-PAK MODEL	PART NUMBER	CONFIGURATION
DFP-12120-E	39002-03	2} DRV-1260-E
DFP-12120-A	39002-05	2} DRV-1260-A
DFP-24120-E	39002-04	2} DRV-2460-E
DFP-24120-A	39002-06	2} DRV-2460-A
DFP-12240-E	39002-08	2} DRV-12120-E
DFP-24192-E	39002-07	2} DRV-24100-E
DFP-12180-E	39002-38	1} DRV-1260-E 1} DRV12120-E
DFP-24156-E	39002-47	1} DRV-2460-E 1} DRV24100-E

Contact France Customer Service at 800.793.4793
2268 Fairview Blvd., Fairview, TN 37062